



www.snowdragonledhk.com

Snowdragon Industrial Co.,Ltd

DATA SHEET

Model 1: LED digital/Deam color controler



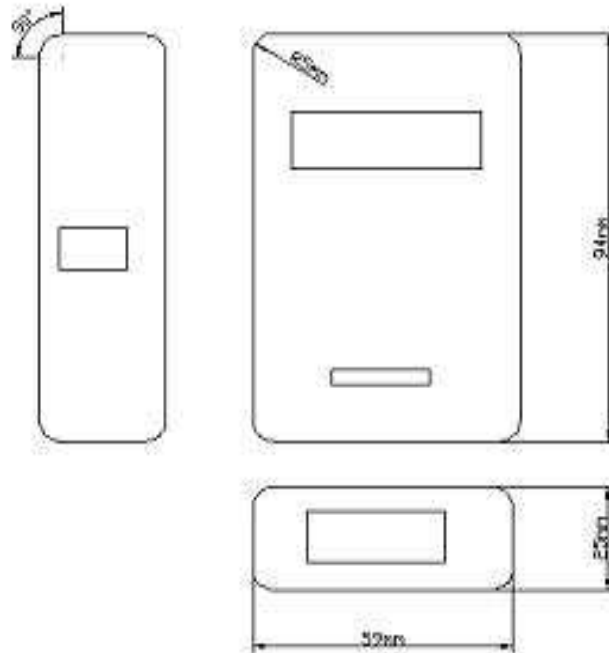
Summarization

RF Dream-color controller is designed for led production which use HL1606 as driver , it has 128*128*128 grayscale , Length setup funtion and Power-failmemory function, you could choose it freely in a lot of programs, meanwhile,you could adjust all kinds of dynamic lighting changes by RF remote controller.It is very useful for light box advertisement,stage light,house decorating and so on.

Technical parameters

- working temperature:-20-60℃
- supply voltage:DC 12V
- external dimension:L94XW59XH25 mm
- packing size:L145XW95XH50 mm
- net weight:205g
- gross weight:235g
- rated power:2.2W
- output: two SPI signals

External Dimension



Interface Specification

Power input interface:



Adopt conventional DC power Transposon as power input interface.

Load output interface:



Adopt 5-pin Connector pin.

G S D C L

will display IC NUMBER: *******, ******* is the value of current setting.

- ⏸ Play/pause button,when you want to see the static effect of led ,you may press this button to pause.
- ⊕ Adding button,to add the IC NUMBER,the maximum is 255 (510 groups of RGB)
- ⊖ Reducing button,to reduce the IC NUMBER,the least number is 16 (32 groups of RGB);
- ⬆ Program choosing button,up direction,there are 83 programs in all.
- ⬇



- ▶ Program choosing button,down direction;
- ▶ Speed-down button,there are 100 steps in all;
- ▶ Speed-up button.

3. There are six buttons altogether on remote controller panel, and every button function as follows:

ON / OFF: you could turn on or off load output at any time ;

MODE: mode button, you can choose playing or pausing mode,and observe the static results of LED in the state of suspension mode .

S+:the button to increase the rate of change;

S-: the button to slow down the rate of change, a total of 100 steps;

B+: procedures for the selection key and up choice, a total of 83 procedures;

B-: procedures for the selection key, down choice.

4. The description of signal output interface: L, K, D, S is the corresponding signal of HL1606,which is L_,CK_,D_,S_.

Program description: (Condition: A1—Blue LED;A2—Red LED;A3—Green LED)

5. Standard color changes as follows:

PROGRAM	Functions
1	All color wave forward direction
2	All color wave backward direction
3	All color draw curtain by waving
4	All color lower curtain by waving
5	Three color wave by wave forward direction
6	Three color wave by wave backward direction
7	Three color draw curtain waving by waving
8	Three color lower curtain waving by waving
9	Many color wave forward direction
10	Many color wave backward direction
11	Many color wave draw curtain
12	Many color wave lower curtain
13	Six color trail forward direction
14	Six color trail backward direction
15	Six color trail draw curtain



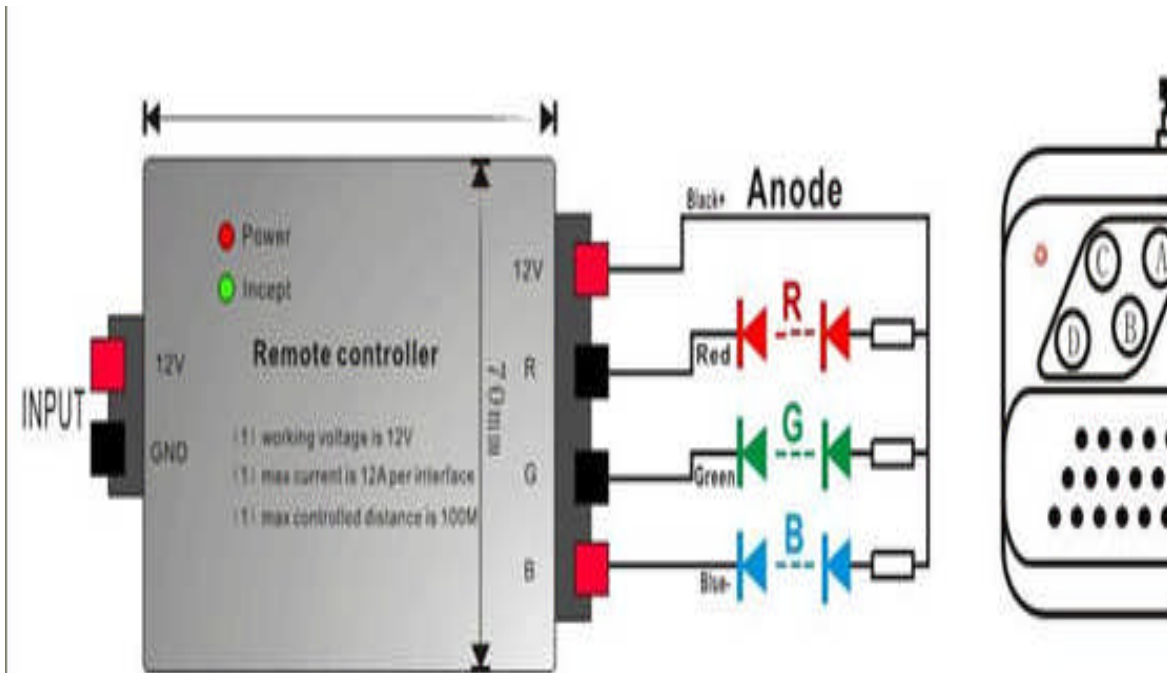
16	Six color trail lower curtain
17	Three base color trail forward direction
18	Three base color trail backward direction
19	Three base color trail draw curtain
20	Three base color trail lower curtain
21	Six color jumpy change
22	Three base color jumpy change
23	Three mixing color jumpy change
24	Six color jumpy change forward direction
25	Six color jumpy change backward direction
26	Six color jumpy change draw curtain
27	Six color jumpy change lower curtain
28	Three base color jumpy change forward direction
29	Three base color jumpy change backward direction
30	Three base color jumpy change draw curtain
31	Three base color jumpy change lower curtain
32	Six color brush forward direction
33	Six color brush backward direction
34	Three base color brush forward direction
35	Three base color brush backward direction
36	Six color brush draw curtain
37	Six color brush lower curtain
38	Three base color brush draw curtain
39	Three base color brush lower curtain
40	Change color red-purple-red forward direction
41	Change color red-purple-red backward direction
42	Change color red-purple-red draw curtain
43	Change color red-purple-red lower curtain
44	Change color red-yellow-red forward direction
45	Change color red-yellow-red backward direction
46	Change color red-yellow-red draw curtain
47	Change color red-yellow-red lower curtain
48	Change color red-green-red forward direction
49	Change color red-green-red backward direction
50	Change color red-green-red draw curtain
51	Change color red-green-red lower curtain
52	Change color red-blue-red forward direction
53	Change color red-blue-red backward direction
54	Change color red-blue-red draw curtain
55	Change color red-blue-red lower curtain
56	Change color green-cyan-green forward direction
57	Change color green-cyan-green backward direction
58	Change color green-cyan-green draw curtain
59	Change color green-cyan-green lower curtain
60	Change color green-blue-green forward direction



61	Change color green-blue-green backward direction
62	Change color green-blue-green draw curtain
63	Change color green-blue-green lower curtain
64	Change color red-white-red forward direction
65	Change color red-white-red backward direction
66	Change color red-white-red draw curtain
67	Change color red-white-red lower direction
68	Change color green-white-green forward direction
69	Change color green-white-green backward direction
70	Change color green-white-green draw curtain
71	Change color green-white-green lower direction
72	Change color blue-white-blue forward direction
73	Change color blue-white-blue backward direction
74	Change color blue-white-blue draw curtain
75	Change color blue-white-blue lower curtain
76	Six color fade in and fade out forward direction
77	Six color fade in and fade out backward direction
78	Six color fade in and fade out draw curtain
79	Six color fade in and fade out lower curtain
80	Three base color fade in and fade out forward direction
81	Three base color fade in and fade out backward direction
82	Three base color fade in and fade out draw curtain
83	Three base color fade in and fade out lower curtain



Model 2: LED RGB Wireless Controller Specification



Controller Description:	Mode	Mode / Color	Remark
Voltage : DC12V	1	Static Red	/
Current : 4A * 3	2	Static Green	/
Power : 12V ---- 144w	3	Static Yellow	/
Connect Ways : common anode	4	Static Blue	/
Control Ways : RF Wireless Control	5	Static Purple	/
Control Distance : Above 80 m Working	6	Static Cyan	/
Temperature : - 20°C --- + 60°C	7	Static White	/
Size : 90 *70 * 28mm	8	Three Color Jumpy	Speed adjustable
	9	Seven Color Jumpy	Speed adjustable
	10	Three Color	Speed adjustable
	11	Seven Color	Speed adjustable
	12	Automatic cycle	From Mode 8 , 9 , 10 , 11 Automatic



www.snowdragonledhk.com