



www.snowdragonledhk.com

Good quality & Fast delivery

Snowdragon Industrial Co.,Ltd

DATA SHEET

MODEL N.O.: SDIR5WB94-RJ-A

ENG. N.O.: 12021606

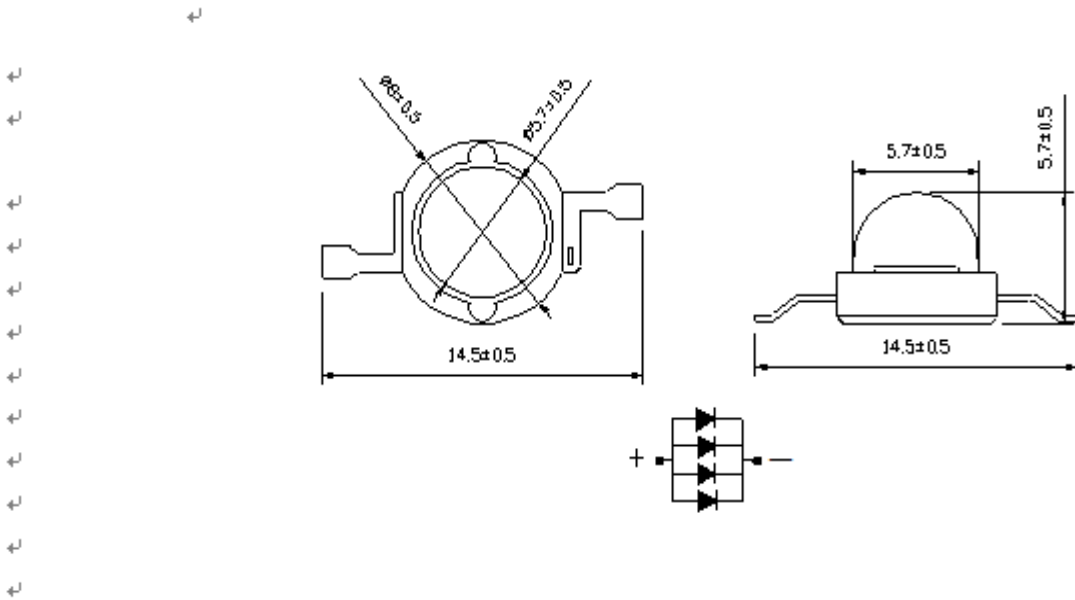
PREPARED BY	CHECKED BY	APPROVED BY
CUSTOMER APPROVED SIGNATURES		



Technology support or Order ,pls email us :powerledmanufacturer@gmail.com



● Package Dimensions

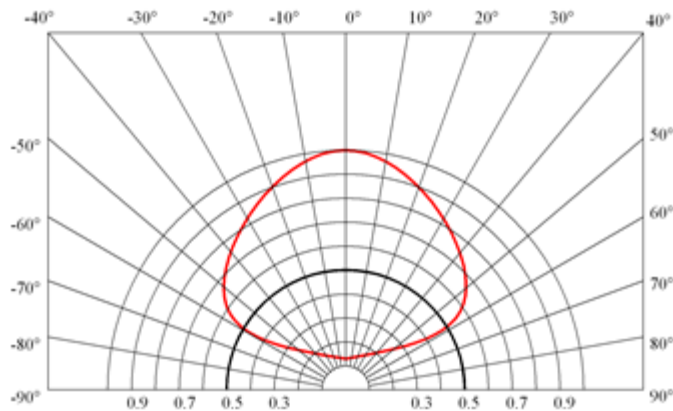


Dimension (mm)

Notes

1. All dimensions are in millimeters (inches).
2. Tolerance is $\pm 0.25\text{mm}(0.010\text{'})$ unless otherwise noted.
3. Protruded resin under flange is $1.0\text{mm}(0.04\text{'})$ max.
4. Lead spacing is measured where the leads emerge from the package.
5. Specifications are subject to change without notice.

● Spatial Distribution



Technology support or Order ,pls email us :powerledmanufacturer@gmail.com



● **Electrical / Optical Characteristics at TA=25°C**

Parameter	Symbol	Min.	Typ.	Max.	Unit	Test Condition
Radiation Power	P	250	280	300	mW	IF =1500mA
Viewing Angle	2θ1/2	110	120	130	deg	IF =1500mA
Dominant Wavelength	λ		940		nm	IF =1500mA
Forward Voltage	V _F	1.4	1.6	2.0	V	IF =1500mA
Reverse Current	I _R	0		10	μA	IF =1500mA

● **Absolute Maximum Ratings at TA=25°C**

Parameter	Maximum Rating
Power Dissipation	5W
Peak Forward Current(1/10 Duty Cycle, 0.1ms Pulse Width)	3000mA
Continuous Forward Current	1500mA
Derating Linear From 30°C	0.07mA/°C
Reverse Voltage	5V
Operating Temperature Range	-20°C to + 80°C
Storage Temperature Range	-30°C to + 100°C
Lead Soldering Temperature [1.6mm(.063") From Body]	260°C for 5 Seconds

Technology support or Order ,pls email us :powerledmanufacturer@gmail.com

