

5050 SMD Strip Light

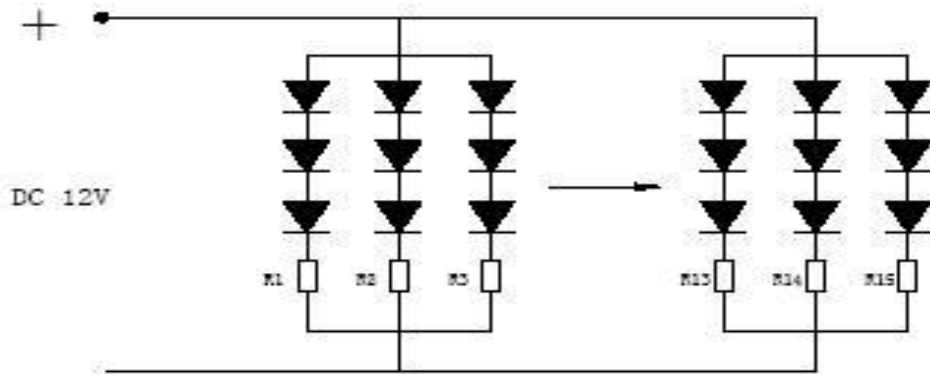
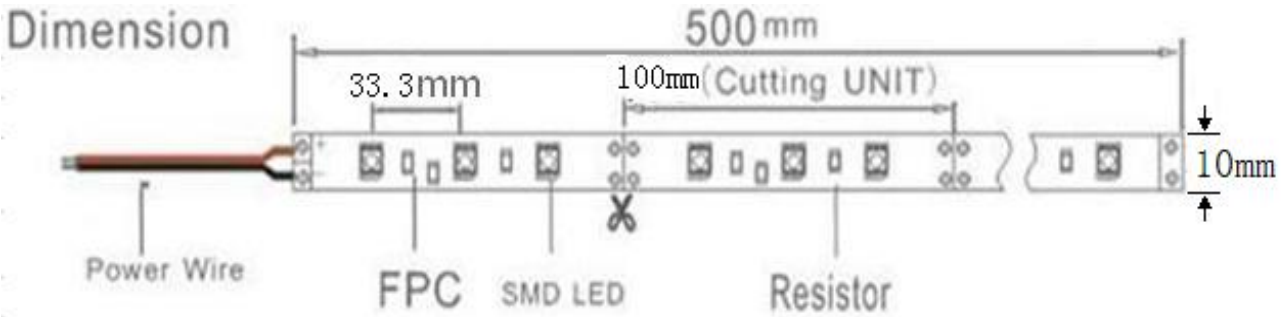
Not waterproof series

Applications

- ◆ Car decoration
- ◆ Architectural decorative lighting
- ◆ Archway, canopy and bridge edge lighting
- ◆ Auditorium walkway lighting
- ◆ Backlight for signage letters
- ◆ Channel letter lighting

Product features:

- ◆ Characteristic: 3in1 high intensive light strip
- ◆ Snowdragon LED strip on flexible PCB with self-healing
- ◆ Various angle 120degrees
- ◆ Made of leaded LEDs with lighting emitting in the direction of PCB
- ◆ Available colors: Red Green Blue Yellow White warmwhite & a million color version
- ◆ Work voltage: DC12V & 24V
- ◆ Anti-uv design



Notes:

- ◆ All dimension units are millimeters
- ◆ All dimension tolerance is +1mm unless otherwise noted
- ◆ Electrical parameters as the standard 0.5M

Absolute Maximum Rating at TA=25°C

Parameter	Symbol	Absolute Maximum Rating	Unit
Forward Current	IF	300	mA
Power Dissipation	PD	3.6	W
Electrostatic discharge	ESD	2000	V
Operating Temperature	Topr	-25 – 60	°C
Storage Temperature	Tstg	-40 – 80	°C

Electrical / Optical Characteristics at TA=25°C

Parameter	Symbol	Condition	Typ	Unit
Forward Voltage DC	VF	IF=300mA	12	V
Dominant Wavelength	λ D	IF=300mA	~	nm
Luminous flux	ϕ V	IF=300mA	160	lm
Recommend Forward Current	IF(rec)	~	300	mA

Basic Technical Data (Electrical parameters as the standard 0.5M)

Part Number	Color	LED	Luminous (lm)	Viewing Angle	Wave Length(nm)	Current (mA)	Packing Means
		Quantity					
SD12FNWSMD5050W-30	White	15	150-170	120°	6000-7000k	270-300	5m/reel
SD12FNWSMD5050R-30	Red	15	100-120	120°	620-630	270-300	5m/reel
SD12FNWSMD5050G-30	Green	15	110-130	120°	510-525	270-300	5m/reel
SD12FNWSMD5050B-30	Bule	15	75-95	120°	455-470	270-300	5m/reel
SD12FNWSMD5050Y-30	Yellow	15	100-120	120°	585-595	270-300	5m/reel