



SNOWDRAGON INDUSTRIAL CO.,LTD

Customer Service :+86-755-83918797 +86-755-28269297

Fax: +86-755-83062997

Skype ID :leddiodes ICQ ID : 572351276

MSN ID: leddiodes@hotmail.com YaHoo Messenger ID : leddiodes@yahoo.com

Websites: www.snowdragonledhk.com www.snowdragonledproduct.com

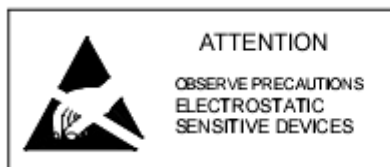
承 认 书

APPROVE SHEET

MODEL No : SD-12101BX

ENG. No: 1.2 Inch Yellow Color

PREPARED BY	CHECKED BY	APPROVED BY
CUSTOMER APPROVED SIGNATURES		



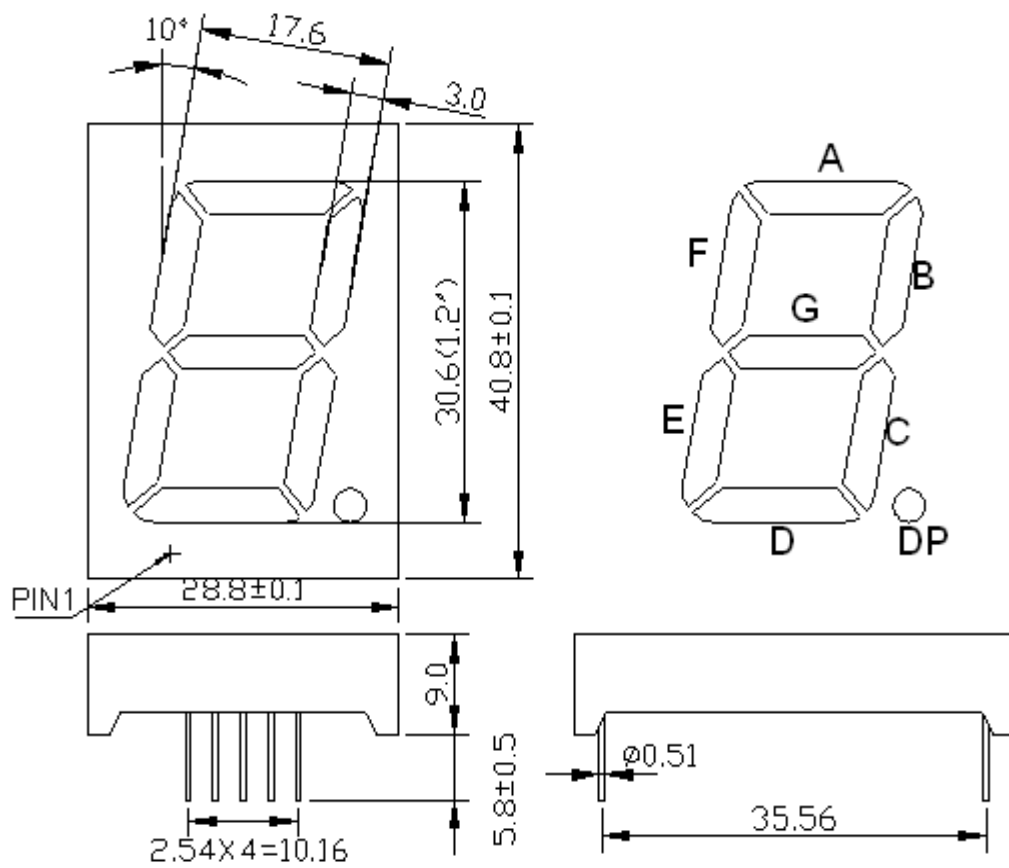
Character & Description

Parameter	Symbol	Max Parameter
Peak Forward Current	I_{fp}	100mA [Ⓟ]
Forward Current	I_F	20mA [Ⓟ]
Reverse Voltage	V_R	5V [Ⓟ]
Operating Temperature Range	TOPR	-25 to +85°C [Ⓟ]
Storage Temperature Range	TSTG	-25 to +85°C [Ⓟ]
Lead Soldering Temperature		260°C for 5 Seconds [Ⓟ]

Optical & Electronics Characteristic

Parameter	Symbol	Test condition	TYP	Max	Unit
Forward Voltage	V_F	$I_F=20mA$	3.8	4.4	V
Reverse Current	I_R	$V_R=5V$	---	20	μA
Wavelength	λ_P	$I_F=20mA$	590	593	Nm

Package Dimension: $28.8\text{mm} \times 40.8\text{mm} \times 9.0\text{mm}$



Circuit Diagram :

